

REV	ECN #	DATE	DESCRIPTION OF CHANGE-IS (WAS)	BY:
(A)	5497	4/19/96	RELEASED FOR PRODUCTION	LJA
(B)	8935	1-20-05	ROTATE HOLE 90°	RP

324085 B

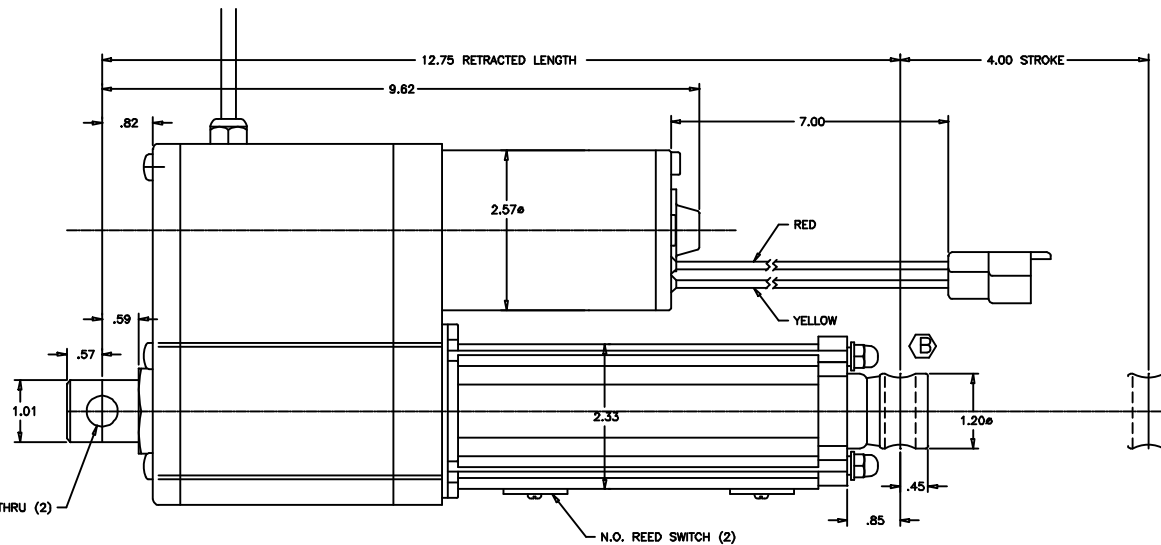
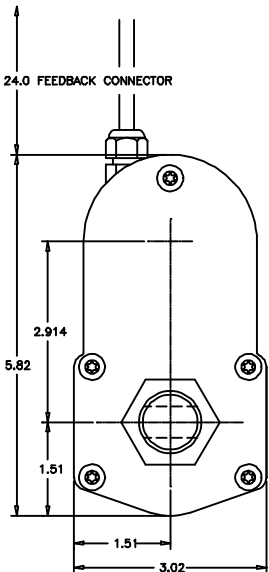
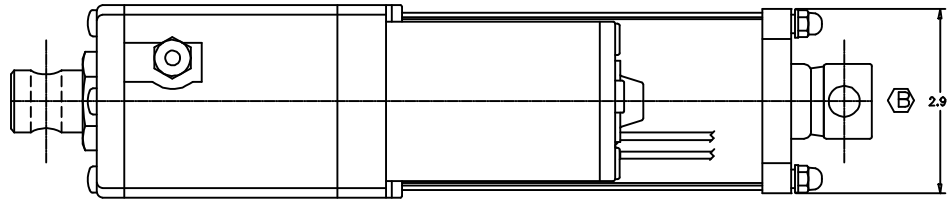
ACTUATOR-SQ LIFT TSS/82 ES

SOURCE: WARNER ELECTRIC BRAKE & CLUTCH CO.
1300 N. STATE ST.
MARENGO, ILL 60152

VENDOR NO.: DP12-10A5-04PB

SPECIFICATIONS:

500 LBS. DYNAMIC LOAD
1,000 LBS. MAX STATIC LOAD
BALL DETENT OVERLOAD PROTECTION @ 600-1,000 LBS.
ACTUATOR IS WEATHER PROTECTED
INPUT VOLTAGE 12 VDC
9 AMPS CURRENT DRAW @ 500 LBS.
MOTOR THERMALLY PROTECTED
POTENTIOMETER 0-1200 OHMS
385 OHMS/INCH TRAVEL
RED MOTOR LEAD TO POSITIVE TO EXTEND
SEE VENDOR DWG. FOR ADDITIONAL INFORMATION



CONFIDENTIAL

THIS DRAWING AND ALL INFORMATION CONTAINED THEREIN ARE THE EXCLUSIVE PROPERTY OF MINUTEMAN INTERNATIONAL, INC. THIS DRAWING IS NOT TO BE COPIED OR OTHERWISE REPRODUCED WITHOUT EXPRESSED WRITTEN PERMISSION OF MINUTEMAN INTERNATIONAL, INC. IN ADDITION, THIS DRAWING MUST BE RETURNED UPON REQUEST. FURTHER, ALL INFORMATION CONTAINED HEREIN MUST BE MAINTAINED CONFIDENTIAL.

SOURCE:

PN. SEE SPECS.
MATL: SEE SPECS.

FINISH: NONE

UNSPECIFIED TOLERANCES

		ANGULAR:
.X	.1	X. 1°
.XX	.03	.X .5°
.XXX	.010	

DES. ENG:

ENG. REL:

Minuteman
PowerBoss

175 Anderson Street
Aberdeen, NC 28315
PHONE (910) 944-2105
FAX (910) 944-7409

CAD BY: LJA

DATE: 4-16-96

DESCRIPTION

ACTUATOR-SQ LIFT TSS/85 ES

PART NO. 324085

REV LEV B

SHT NO. 1 OF 1

Y
X